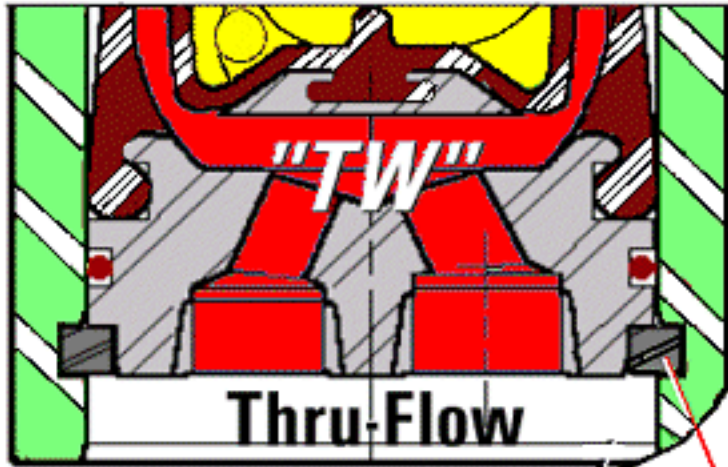


PipeHugger High Pressure and Super Pressure

Standard Thru-Flow Base Blocks. Under license from M. Packer since 1963



Direct Threaded

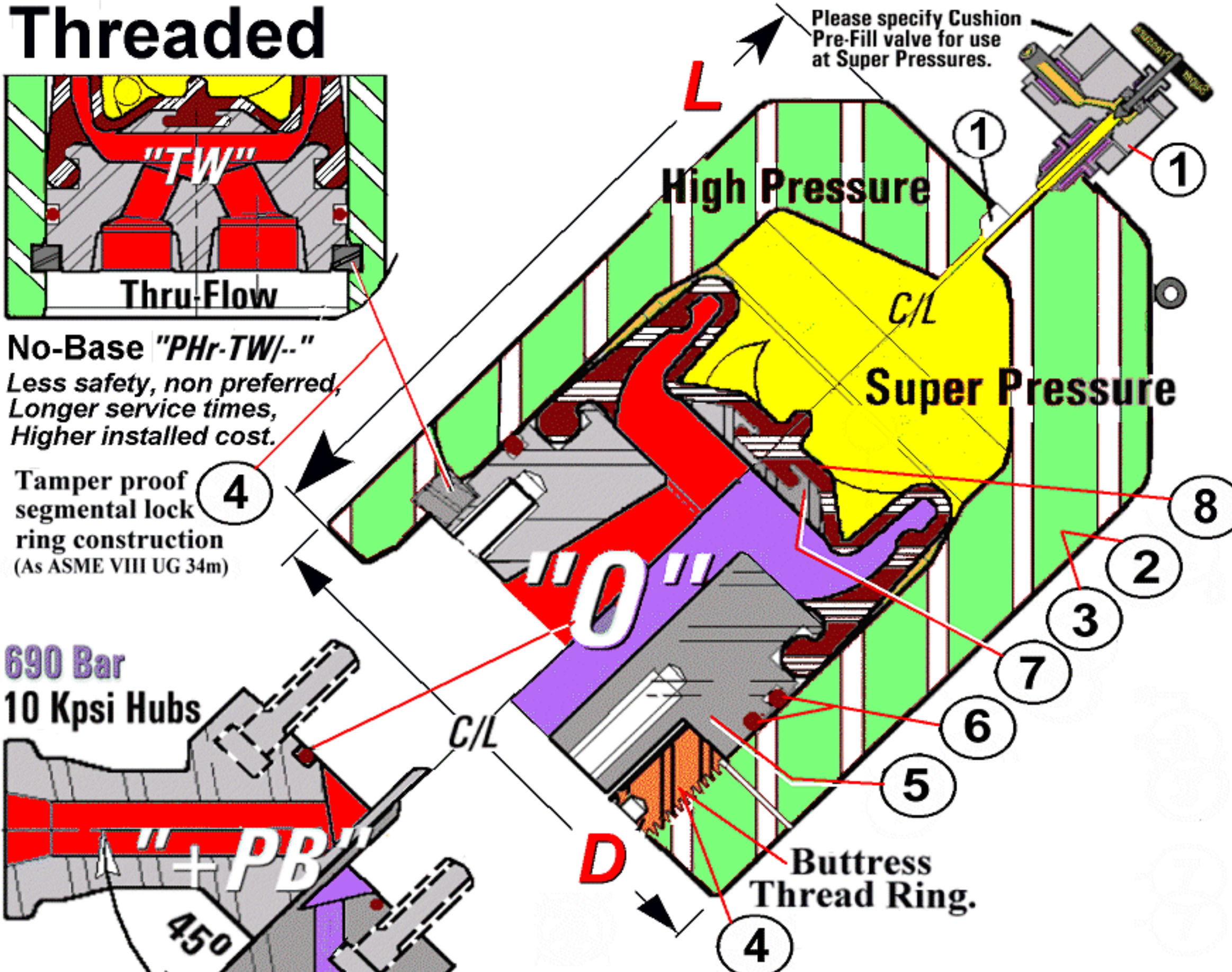


No-Base "PHr-TW/-"
Less safety, non preferred,
Longer service times,
Higher installed cost.

Tamper proof
segmental lock
ring construction
(As ASME VIII UG 34m)

With Piping Bases

Please specify Cushion
Pre-Fill valve for use
at Super Pressures.



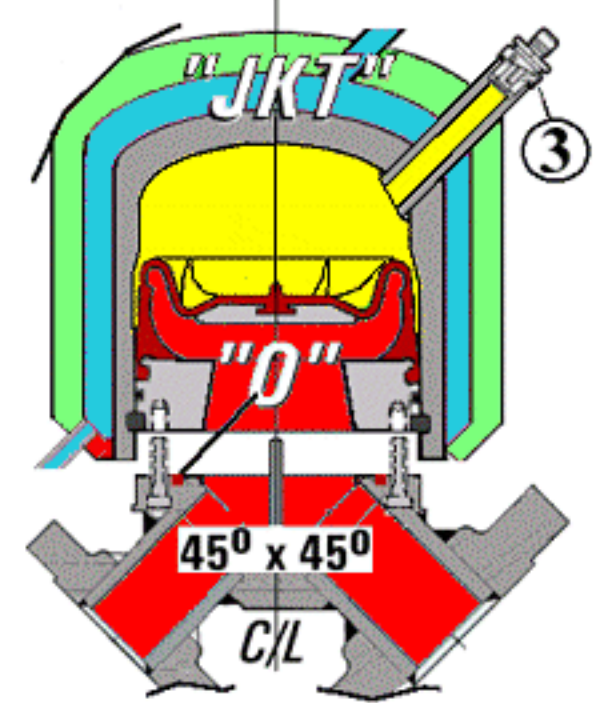
690 Bar
10 Kpsi Hubs



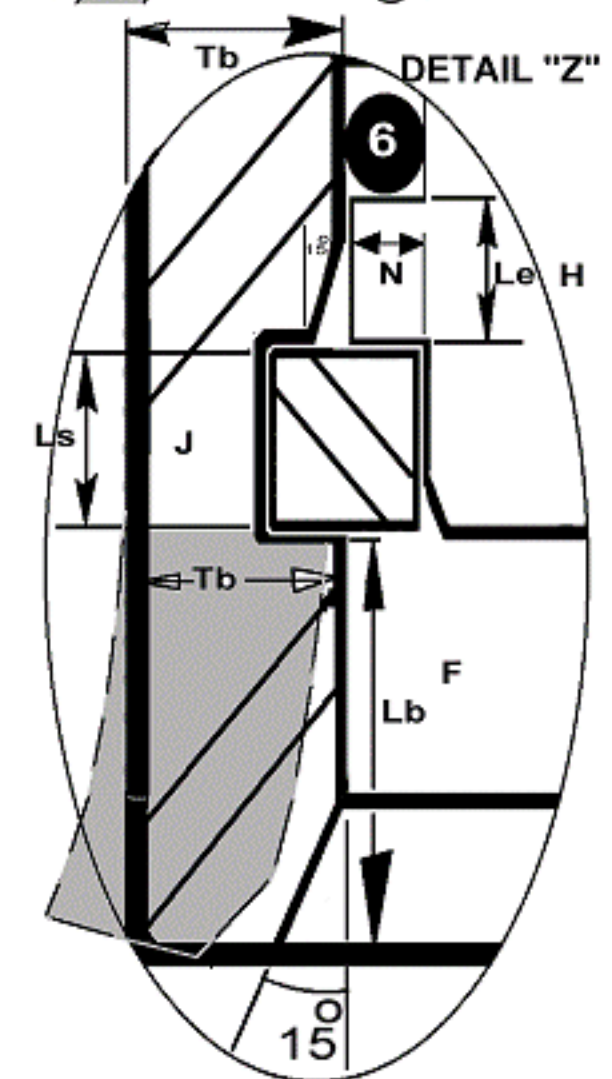
20 Kpsi
Cone & Nut
1,380 Bar

D	Outside Diameter
L	Overall Length
CC	Connection to Connection

Hot or Cold Jacket



Rule of thumb for failure Control:-
Where T=wall thickness
F, distance in
to groove = 1.4T
J, groove width = 0.8T
N, groove depth = 0.45T
Ensures safe depressurization
by the vomit of seal 6 down the
adjacent seal lead in chamfer
15° when the mouth spreads to
to dotted line @ 6Pd.



Connection Specification

ANSI B16.5
DN-PN

CUSTOMER:

CUSTOMER REF.:

QUANTITY:

W/O No.:

W: Procedure Nbr.

WEIGHT (EST.):

ISSUED BY:

CHECKED BY:

(DAY/MONTH/YEAR)

ISSUE DATE: 10 Jly 1979

FILE REF: E:\VWSHEETS\MRP-PHr.bmp

SCALE: NTS

ALL DIMENSIONS ARE IN
MM EXCEPT AS STATED.

Item	Part No.	Description	Material	I.D. #
1		By User - N2 Prefill		
2		Cap-Gas	From Solid Billet	
3		Body (Shell)		
4		Segmental Lock Ring Buttress Thread Ring	from 106 Smls Pipe	
5		End-closure	Duplex, Super Duplex SS	
6		Dual Seals	90° Shore A	
7		Anti-Extrusion Plate		"Non Pressure Retaining component"
8		Liquid Bladder + Webs		"Non Pressure Retaining component"

PULSEGUARD Ltd. & Inc.
Guard Against Pulsation Licensed M. Packer 1963

ISO 9001 - 95-LON-AQ-458 Vessel Cert. 29289
www.pulseguard.co.uk www.pulseguard.com
PO Box 47 Stockport "LDI" Box 506 Hampstead
SK5 7BB Ches. UK NC 28443-9110 USA
-44(0)161-442-6222 -01-910-270-2737
Facsimile -443-1486 Fax. -01-910-270-2740

In association with ShockGuard Ltd & Liquid Dynamic's International Ltd

PIPE LINE SURVEY PROTECTION ANALYSIS DIAGNOSTICS SOFTWARE

TITLE
APPLICATION

SHEET: 1 OF 1

REV. 0