

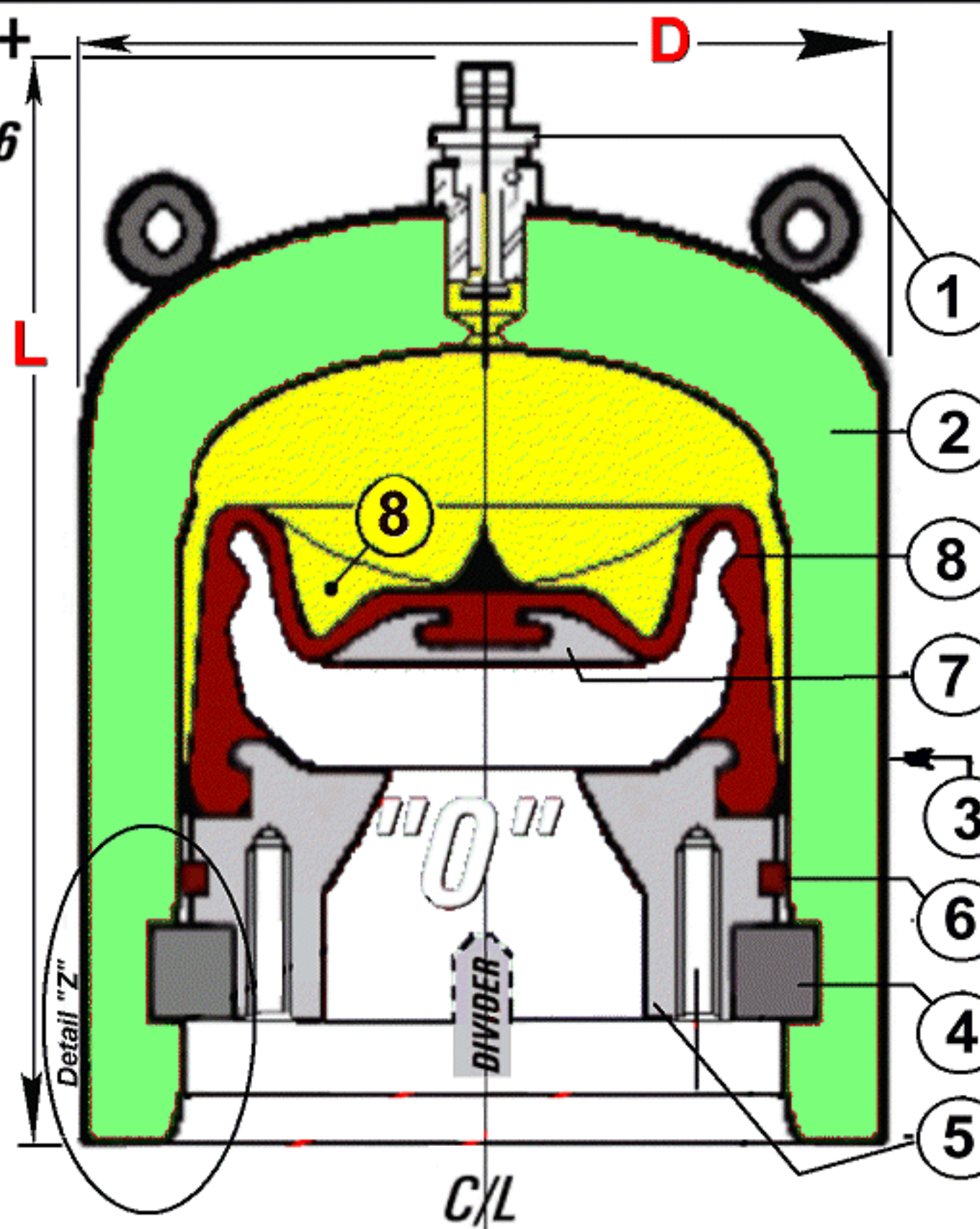
# PipeHugger In most popular form. "O" face + Pipe base

Typical "level 1" Drawing, no extra charge.

Under license from M. Packer since 1963 Responsible body



EG:- PHr/"O"/-Lt./-Br/316 +  
or --/-ln3/-Psi/--  
EX : PB/90x90/DN--PN--/316  
or --/-"---#/--



D Outside Diameter	
L Overall Length	
CC Connection to Connection	

## The Most Popular

For minimum "down time" 4 socket head cap screws release the PipeHugger from the Piping Base block, maintaining system integrity & using 4 minutes for a swap to a standby spare capsule

Jig Built, "PBs" give you exact dimensions at a lower cost than on site pipe fabrication.

Normally welded permanently into the system, but may be flanged for you.

### Rule of thumb For failure Control:-

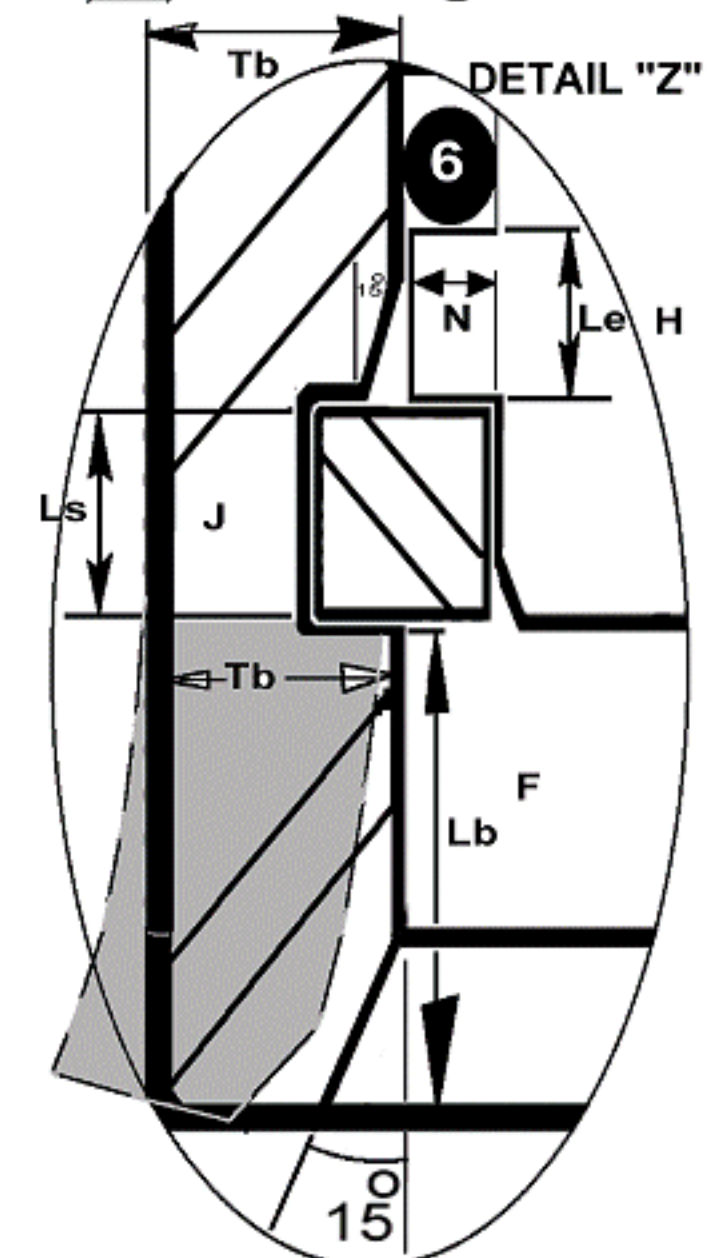
Where T=wall thickness

F, distance in to groove = 1.4T

J, groove width = 0.8T

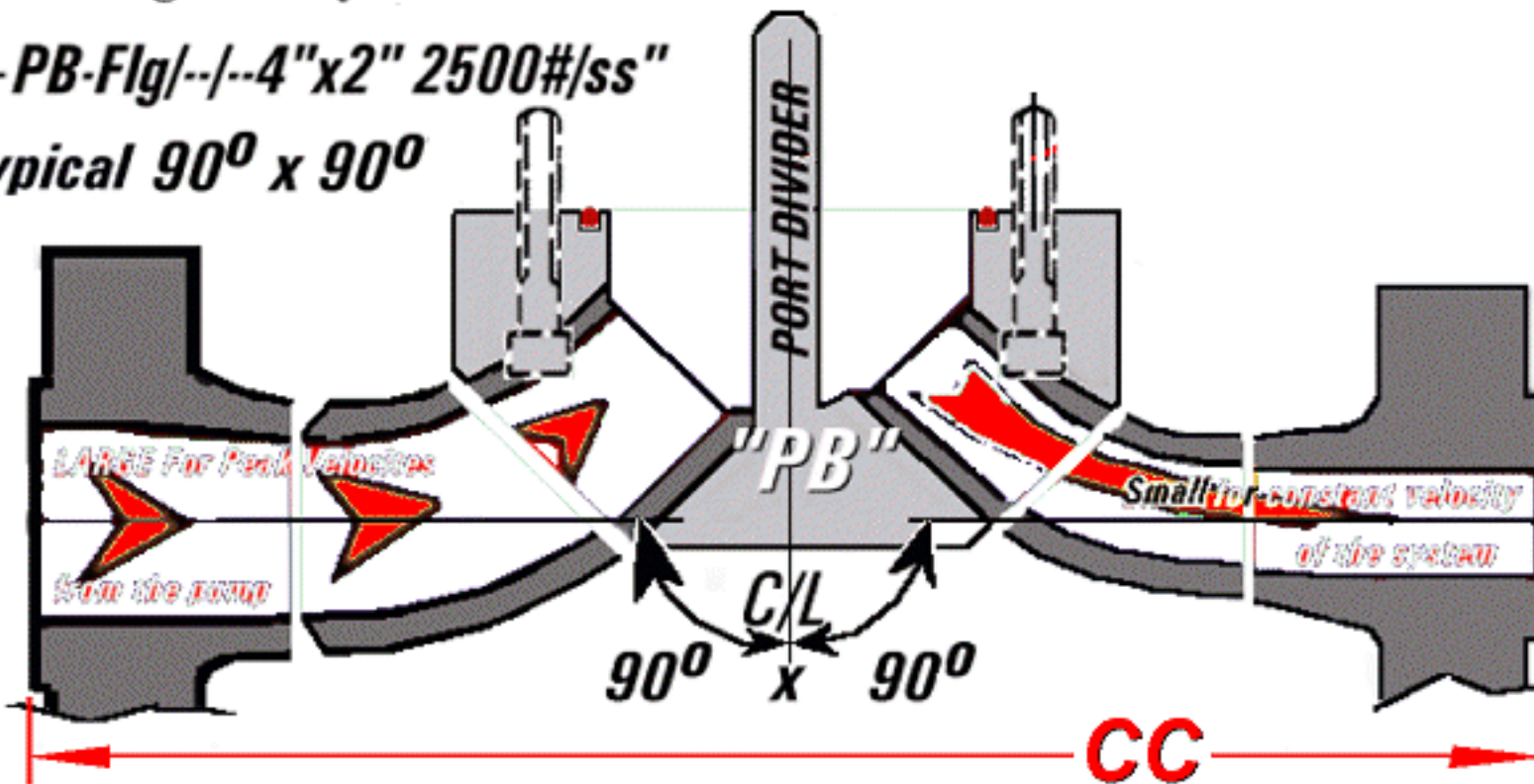
N, groove depth = 0.45T

Ensures safe depressurization by the vomit of seal 6 down the adjacent seal lead in chamfer 15° when the mouth spreads to to dotted line @ 6Pd.



"+PB-Flg/-/-4"x2" 2500#/ss"

Typical 90° x 90°



ANSI B16.5 or DN-PN- Flange Stds.

Your Connection orientation, should always be stated as an angle relative to the damper center line (C/L)

The popular preference shown above is called 90°x90° "90x90"

### Connection Specification

ANSI B16.5  
DN-PN

Item	Part No.	Description	Material	I.D. #
1	9019C	N2 Prefill	304ss	
2		Cap-Gas	2:1 S.E. head	
3		Body (Shell)	106 Smls Pipe	
4		Segmental Lock Ring	from 106 Smls Pipe	
5		End-closure	PVQ Plate	
6		Seal		
7		Anti-Ext. Button		"Non Pressure Retaining component"
8		Diaphragm & Webs		"Non Pressure Retaining component"

CUSTOMER:	
CUSTOMER REF.:	
QUANTITY:	
W/O No.:	
W: Procedure Nbr.	
WEIGHT (EST.):	
ISSUED BY:	
CHECKED BY:	
ISSUE DATE:	10 Jly 1979
FILE REF:	Phr+PBfg.bmp
SCALE: NTS	ALL DIMENSIONS ARE MM EXCEPT AS STATED.
SHEET: 1 OF 1	REV. 0

**PULSEGUARD** Ltd. & Inc.  
Guard Against Pulsation Licensed M. Packer 1963

ISO 9001 - 95-LON-AQ-458 Vessel Cert. 29289  
www.pulseguard.co.uk www.pulseguard.com  
PO Box 47 Stockport "LDI" Box 506 Hampstead  
SK5 7BB Ches. UK NC 28443-9110 USA  
-44(0)161-442-6222 -01-910-270-2737  
Facsimile -443-1486 Fax. -01-910-270-2740

In association with ShockGuard Ltd & Liquid Dynamic's International Ltd

PIPE LINE SURVEY PROTECTION ANALYSIS DIAGNOSTICS SOFTWARE

TITLE

APPLICATION