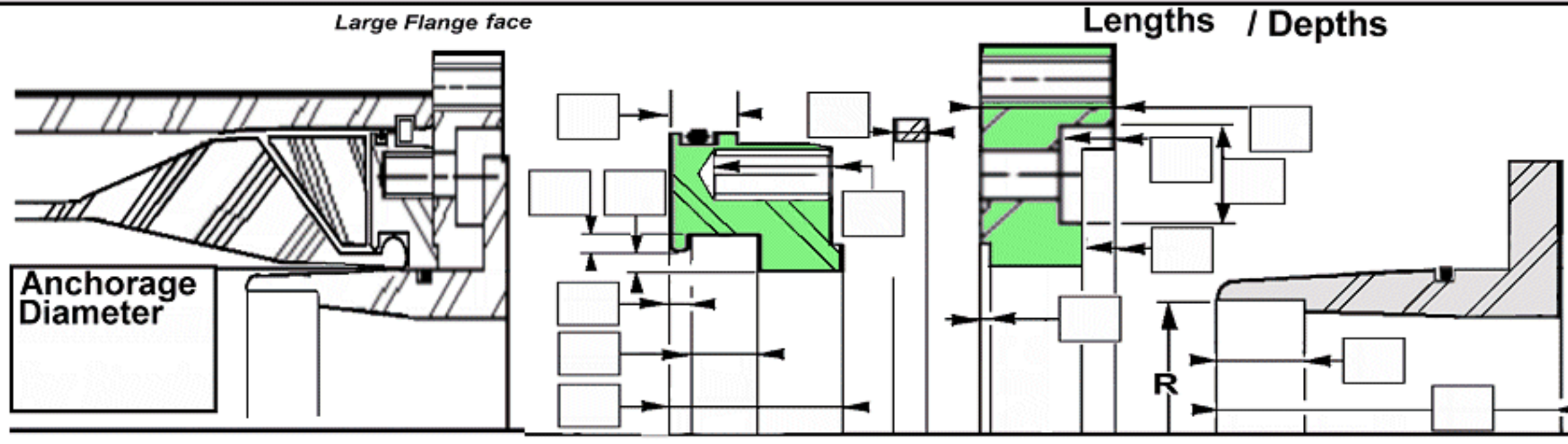
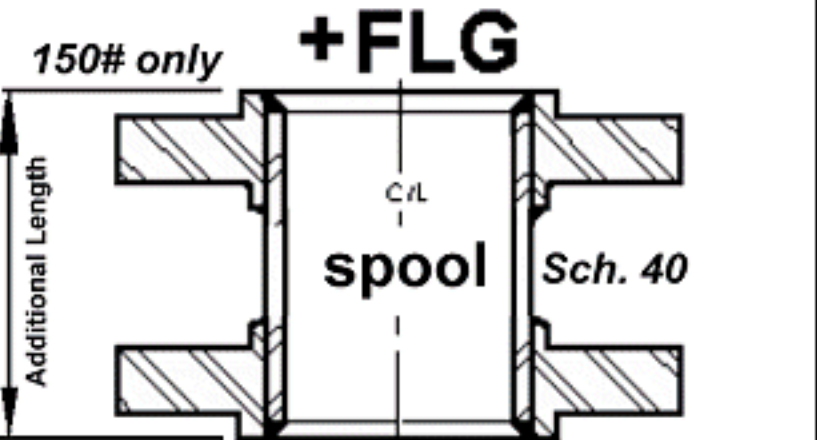


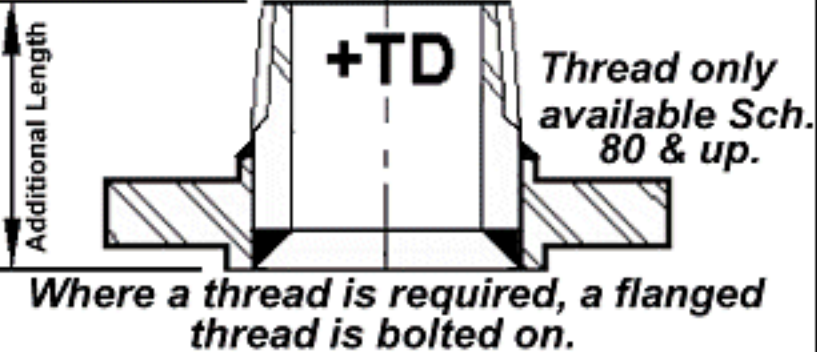
for use where pcd of stud bolts causes circle round OD of tapped stud holes to fall outside step diameter of end plug



**CONNECTION OPTIONS Extra.**  
 Through hole bolting and addition of threads by flanged spools



Where standard stud bolts must pass THROUGH additional flanges are provided



ITEM	PT. Nbr.	DESCRIPTION	MTRL	HT / CAST Nbr.	CUSTOMER
1		TAPPED BOLT HOLE FLANGE / END CVR.	PVQ CS		CUSTOMER REF.
2		BODY PIPE WITH GROOVED ENDS	106B		3rd. PARTY QA. EXTRA
3		END PLUG WITH SEAL GROOVES	PVQ CS		DOCUMENTATION LEVEL EXTRA
4		CORNER FILLING RING	Rubber		WELDING W: NONE
5		ANCHOR TUBE W/ SEAL & RAISED FACE	316SS		QUANTITY
6		FLEX-TUBE WITH THICKENED ENDS	Elastomer		SHOP / JOB Nbr.
7		ANCHOR TUBE "O" SEAL	E,N,orV		WEIGHT(Est.)
8		END PLUG "O" SEAL	Epdm		ISSUED BY M.P.
9		SEGMENTAL LOCK RING	106		ISSUED DATE Feb 2002
10		FLANGE / CVR. HOLDING SOCKET SCREW	Gr10		CHECKED BY D.B.
11		FOAM CUSHION FOR SUCTION JOBS	Urethane		FILE NAME PugLrf.bmp
12		GAS CUSHION FILLING VALVE	304ss		SCALE Not To Scale.
13		PERFORATED SUPPORT TUBE	304Lss		Rev. # 0
14		STUD BOLT HOLES PER ANSI B 16.5			DIMENSIONS ARE mm
15		STUD BOLT HOLES PER DIN DN/PN			unless otherwise stated

Reading the Pt Nbr. To Suit Specific Pump Type / PumpGuard / With PermaCushion / or / With Perorated Support Tube / Number of in3 capacitance Vol or +Liters / Lbs In2 design pressure / Connections / wetted materials  
 HOS=Hose, PROG-C=Progressive Cavity/ "PUG" / "PEC" / or / "PST" / 230 or 4 Lt., 3465 or 57Lt., 12250 or 200Lt., Example 550p = 550 psi / 10" 300# / 316= 316/316L SS