

PipeGuard The Original, one piece high intensity trans-inject molded, GAS BAG flow fluctuation accumulator - from The 1965 Originators

Part Number Series :- Pig/MP & Pig/HP

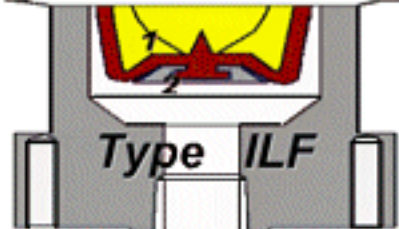
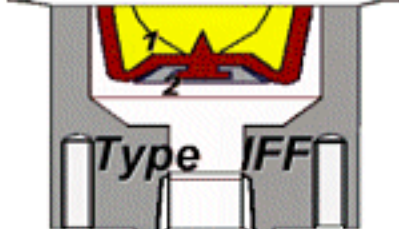


DAMPER CONNECTION SIZES ARE ESTABLISHED TO SUIT 1 to 2 Meters /Sec FLOW VELOCITY. It is expensive to have lower velocity, by larger connections

SINGLE THREAD OR FLANGE AVAILABLE (Non Inventory) TO ORDER ON ALL MODELS

INTEGRAL OVERSIZE FLANGE Not available from stock EXTRA CHARGE ALL MODELS

LARGER FLANGE WELDED ON ADDED PROCUREMENT TIME AND ADDED CHARGES

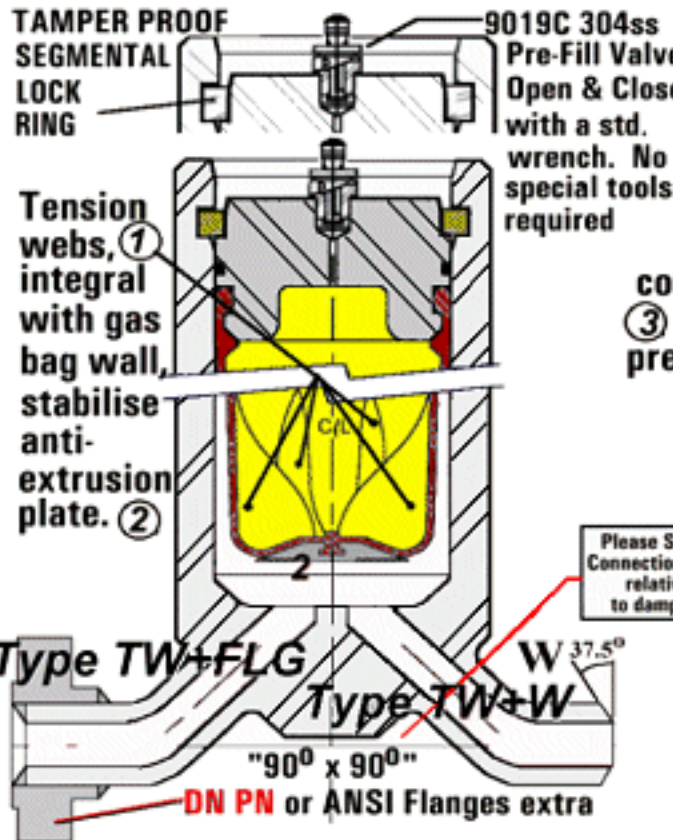


INTEGRAL FLANGE, Face & Stud holes per ANSI B16.5 or "DN-- PN--"

INTEGRAL FLANGE, Face & Stud holes per ANSI B16.5 or "DN-- PN--"

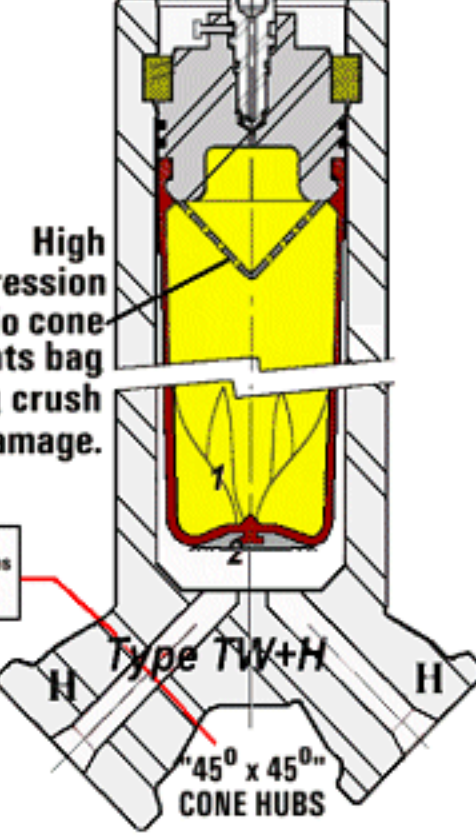
MEDIUM PRESSURE

1500 psi / 100 Bar to 5000 psi / 350 Br.



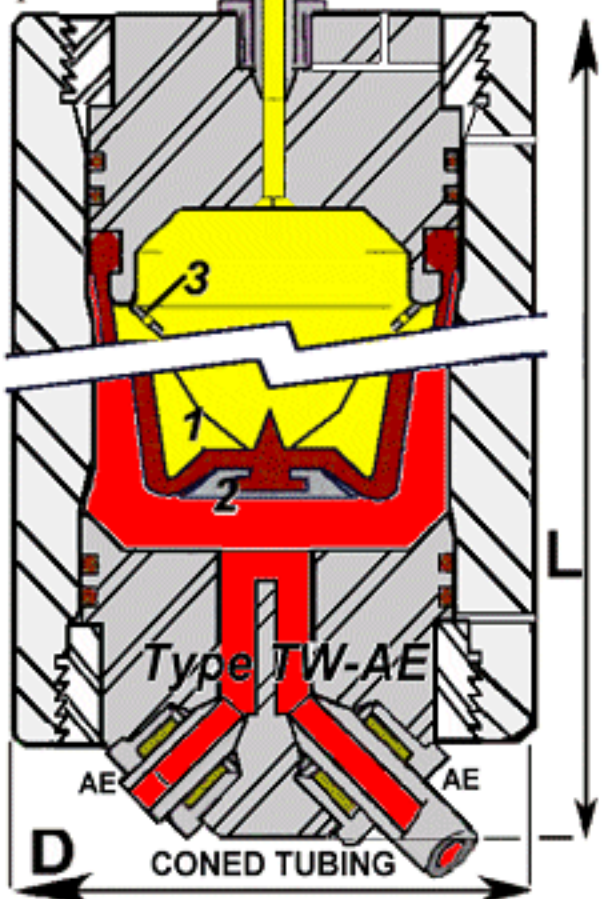
HIGH PRESSURE

5K - 10K psi / 350-700 Bar

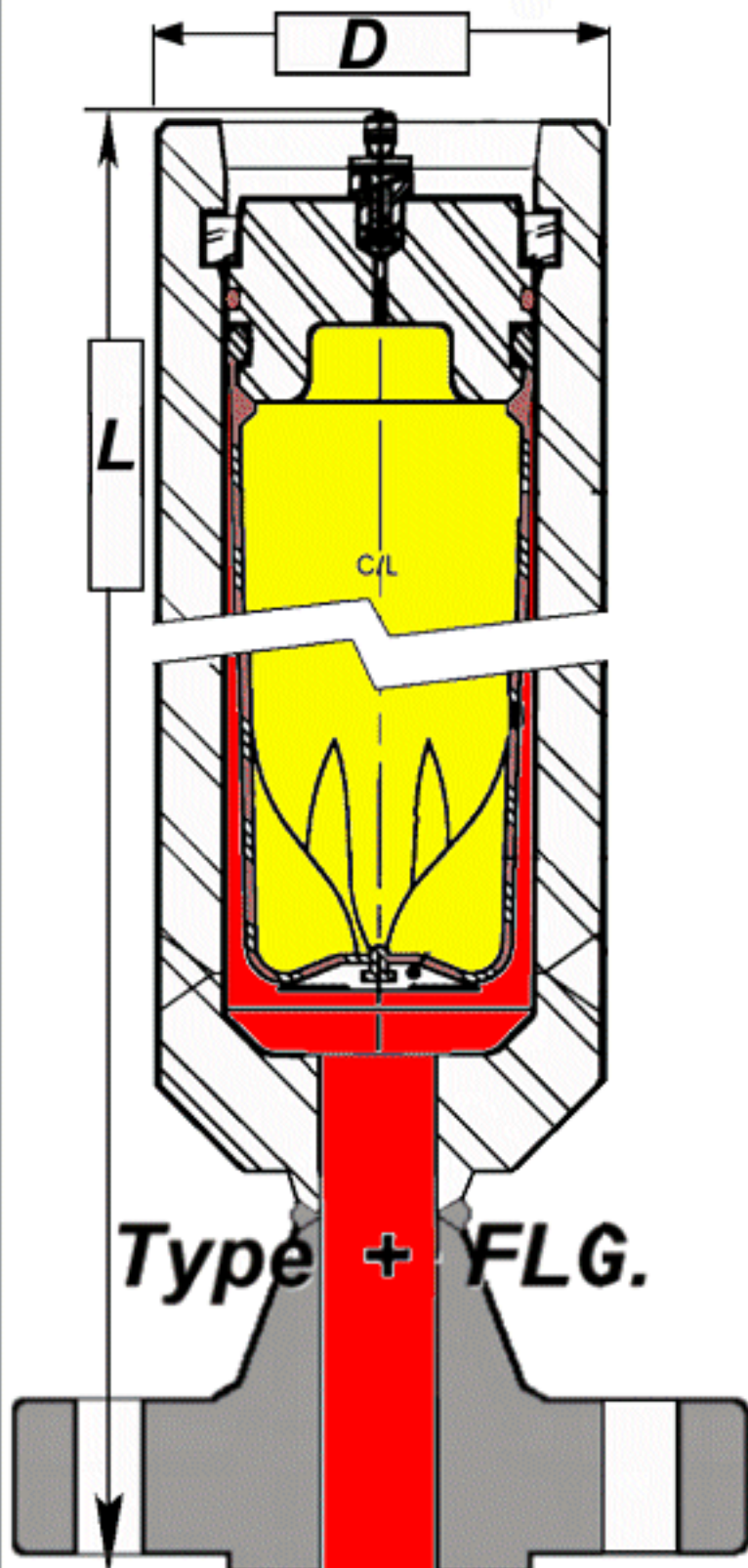
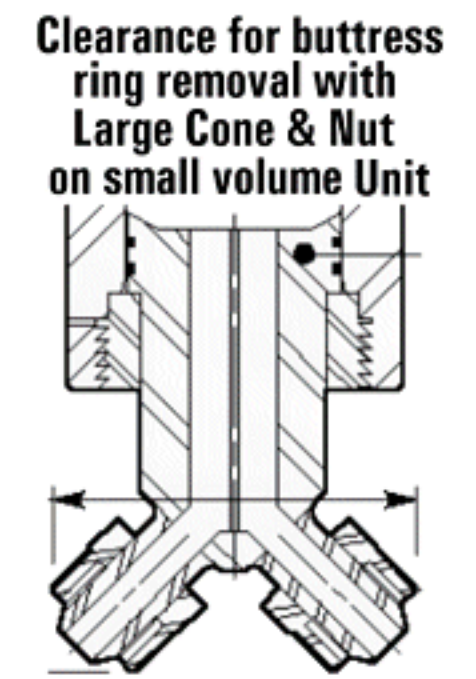
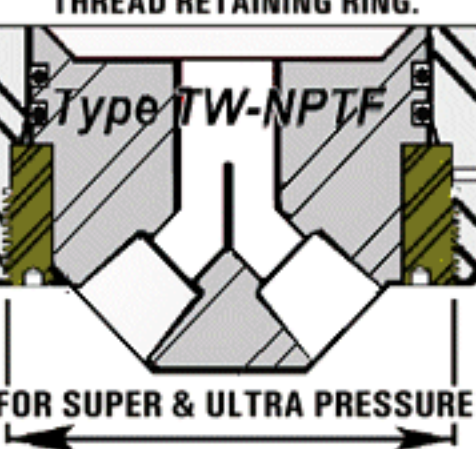


SUPER PRESSURE

10K-15K psi to 1000 Br. Ultra pressure. 15K-60K psi to 4000 Br. Pre-Fill Valve of your choice for super & ultra pressure. Price not included.

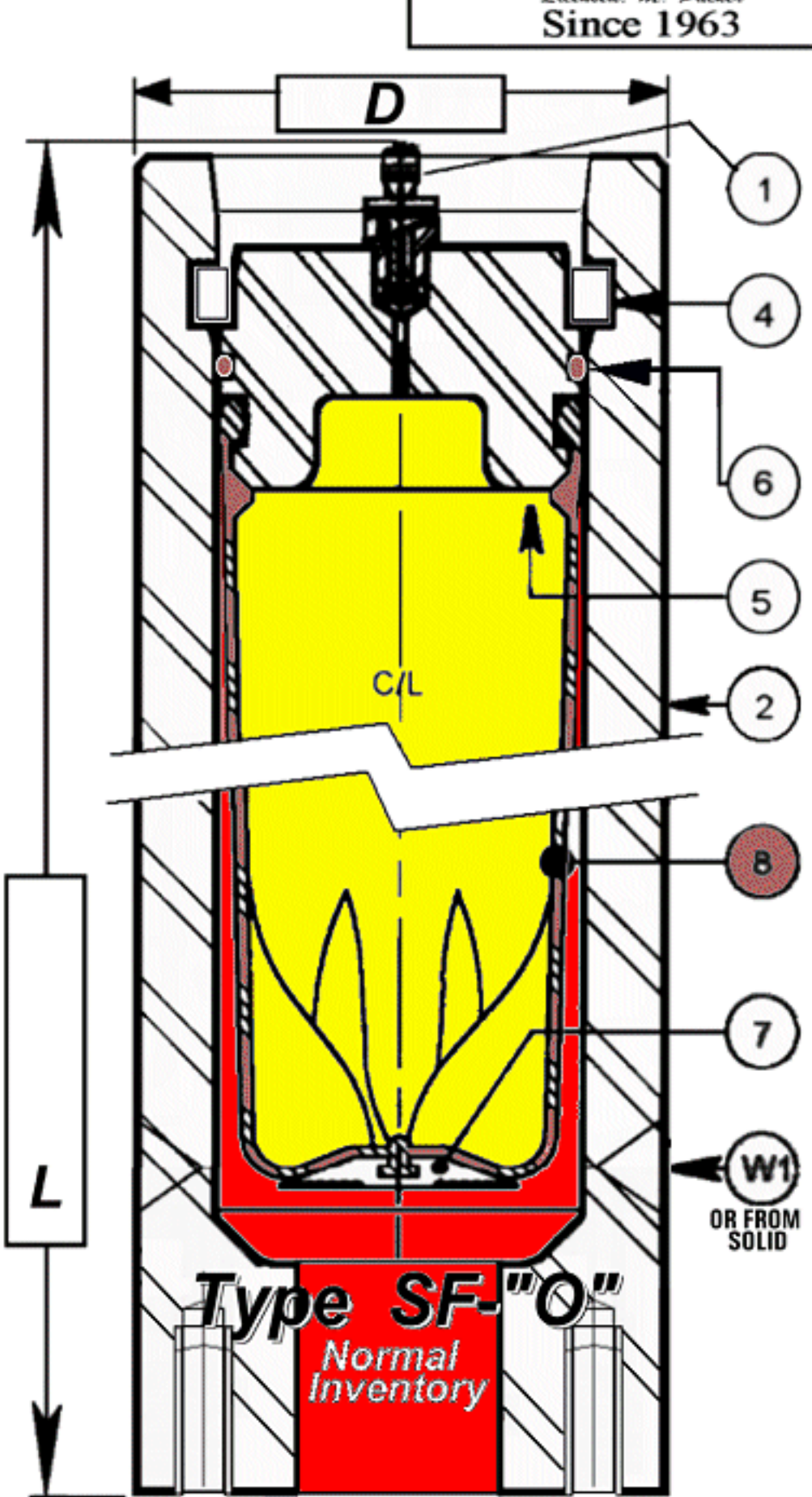
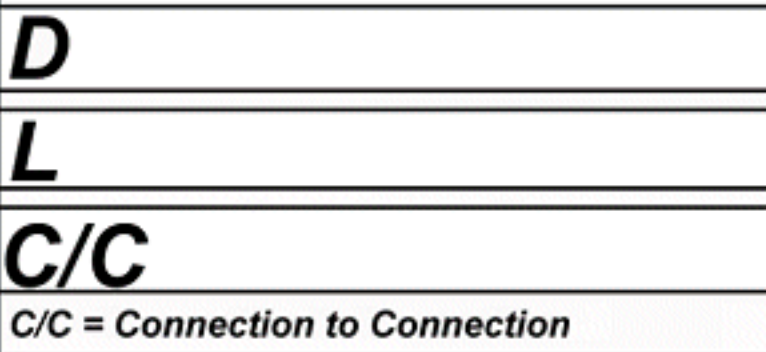


NOT TAMPER PROOF. BUTTRESS THREAD RETAINING RING.

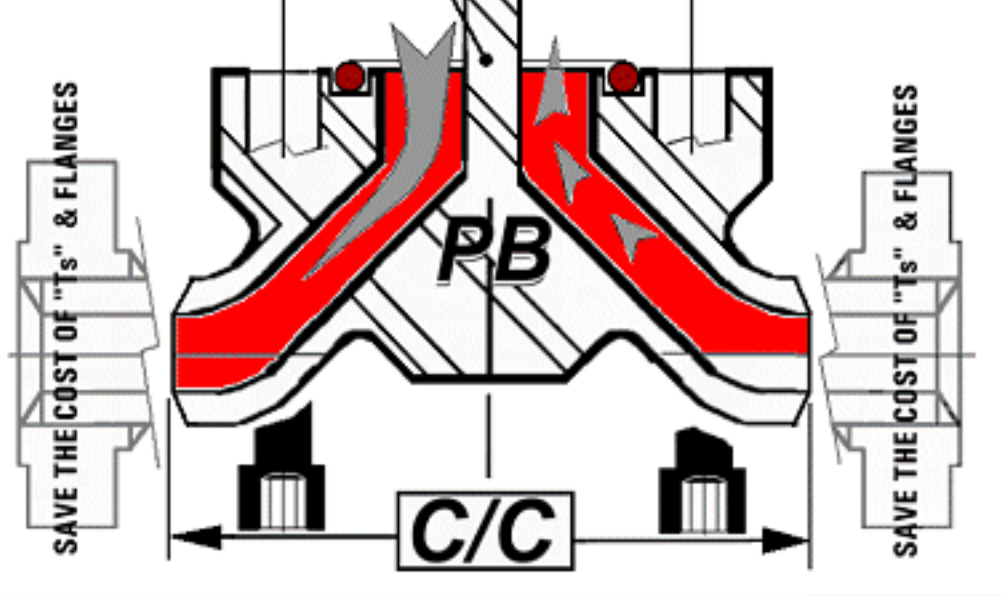


ANSI B16.5 / DN-PN-
For Flow fluctuation only.

Single connection Not recommended for :-
a. Pulsation Interception
b. Flushing before service
c. Frequencies above 7 Hz. (Shorter than 700 Ft of pipe)
d. Constant Temp.
e. Particulate service.



FOR SHORTEST LEAD TIMES AND LOWEST COST + MINIMUM DOWN TIME, & MAINTAINING PIPE INTEGRITY
SPECIFY 4 BOLT PIPING BASES NORMALLY WELDED INTO THE PIPE SYSTEM AND "O" RING FACE SEAL TO THE "DAMPER" FORCE PRESSURE WAVES INTO DAMPER & HAVE IN PLACE FLUSH.



Item	Part No.	Description	Material	I.D. #
1	003-15K	N ₂ Prefill		
2		Body		
3		End Closure		
4		Segments		
5		Gas Bag Head Plug		
6		Seal - 90° IRH, A		
7		Flat Plate Anti-Extr.		
8		Webbed Gas Bag		

CUSTOMER:
CUSTOMER REF.:
QUANTITY:
W/O No.:
WEIGHT (EST.):
W:
ISSUED BY:
CHECKED BY:
ISSUE DATE: (DAY/MONTH/YEAR)

ISO 9001 - 95-LON-AQ-458
www.pulseguard.co.uk
PO Box 47 Stockport
SK5 7BB Ches. UK
--44(0)161-442-6222
Facsimile -443-1486

CE 0040 SS0210435
www.pulseguard.com
Box 506 Hampstead
NC 28443-9110 USA
-01-910-270-2737
Fax. -01-910-270-2740

PIPE LINE SHOCK PROTECTION
ANALYSIS DIAGNOSTICS SOFTWARE

TITLE: IN-LINE THRU-FLO, PUMP DECOMPRESSION SHOCK INTERCEPTOR
Typical Application: High pressure inhibitor, demulsifier and methanol etc. injection in corrosive / offshore platform environments - with stainless steel externals.

FILE REF:
SCALE: NTS ALL DIMENSIONS ARE IN MM EXCEPT AS STATED.
VIEW NO. PIG-
SHEET: 1 OF 1 REV. 0