

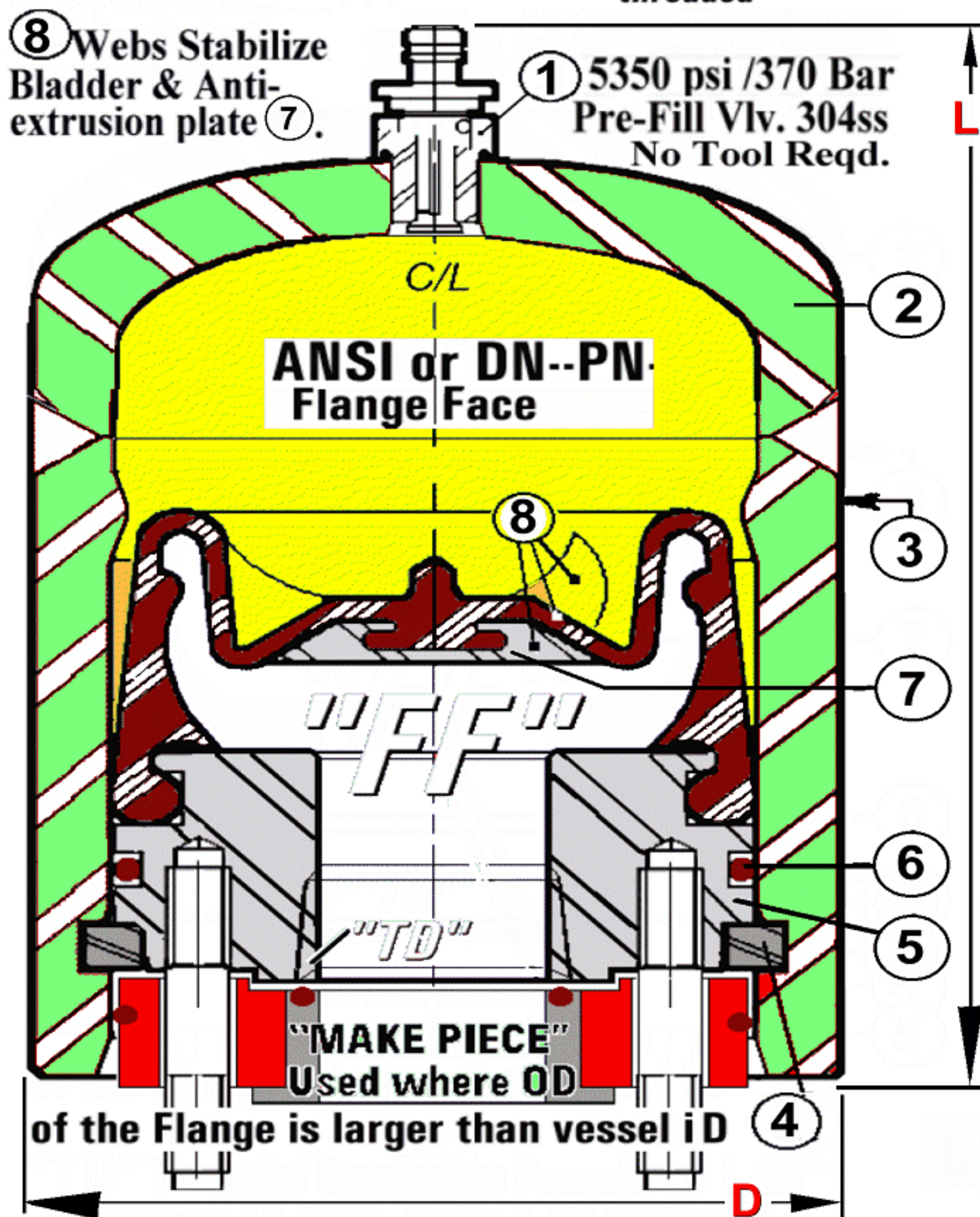
PipeHugger with Flange Face "FF" or Thread "TD"

Typical "level 1" Drawing, no extra charge.

Under license from M. Packer since 1963 Responsible body



Single Connection "PHrFF/" or "PHr-TD/--" threaded



D Outside Diameter	
L Overall Length	
C Connection	

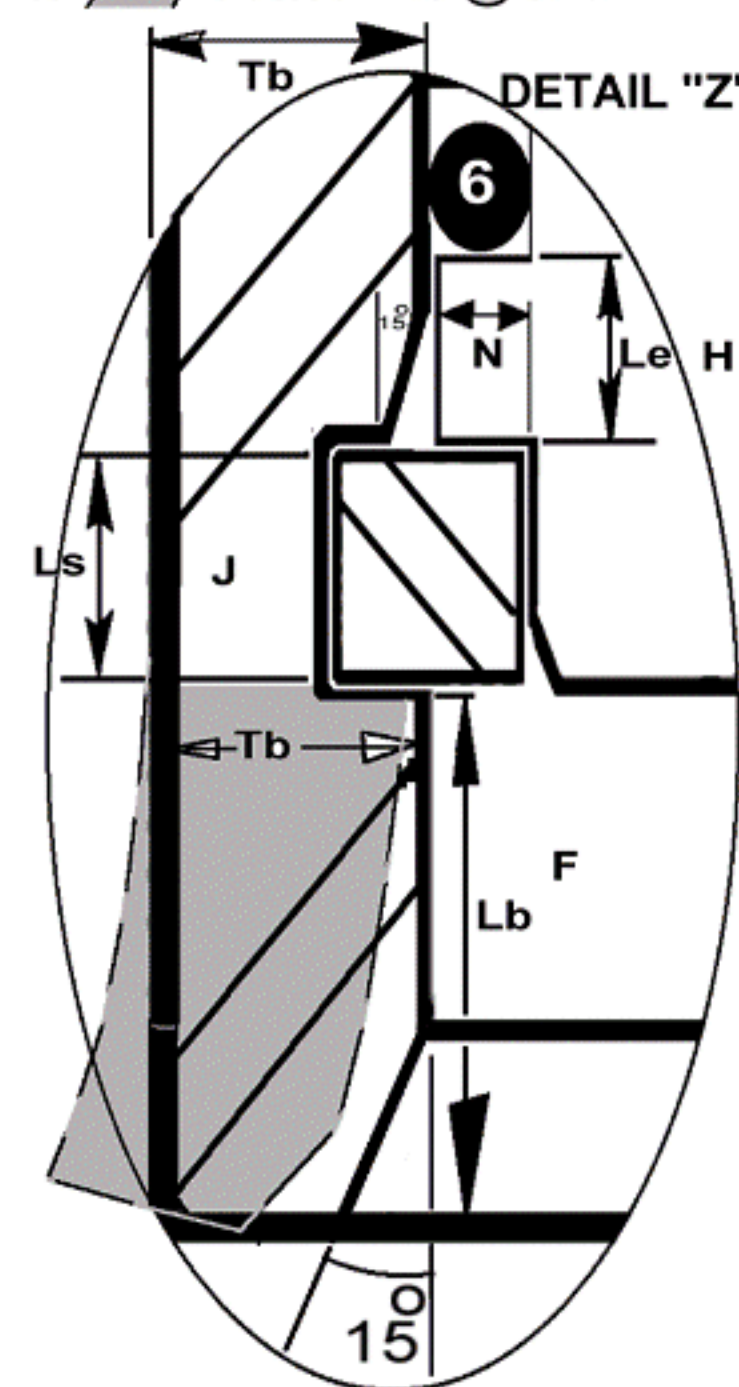
Rule of thumb for failure Control:-
Where T=wall thickness

F, distance in to groove = 1.4T

J, groove width = 0.8T

N, groove depth = 0.45T

Ensures safe depressurization by the vomit of seal 6 down the adjacent seal lead in chamfer 15° when the mouth spreads to to dotted line @ 6Pd.



or
"TD" Threaded Connection Female to 1.25" NPT or 1" BSP Male 1.5" NPT up.

Connection Specification

ANSI B16.5
DN-PN

Item	Part No.	Description	Material	I.D. #
1	9019C	N2 Prefill	304ss	
2		Cap-Gas	2:1 S.E. head	
3		Body (Shell)	106 Smls Pipe	
4		Segmental Lock Ring	from 106 Smls Pipe	
5		End-closure	PVQ Plate	
6		Seal		
7		Anti-Ext. Button		"Non Pressure Retaining component"
8		Diaphragm & Webs		"Non Pressure Retaining component"

CUSTOMER:

CUSTOMER REF.:

QUANTITY:

W/O No.:

W: Procedure Nbr.

WEIGHT (EST.):

ISSUED BY:

CHECKED BY:

(DAY/MONTH/YEAR)

ISSUE DATE: 10 Jly 1979

FILE REF: PhrFlgd.bmp

SCALE: NTS

ALL DIMENSIONS ARE IN MM EXCEPT AS STATED.

SHEET: 1 OF 1

REV. 0

PULSEGUARD Ltd. & Inc.
Guard Against Pulsation Licensed M. Packer 1963

ISO 9001 - 95-LON-AQ-458 Vessel Cert. 29289
www.pulseguard.co.uk www.pulseguard.com
PO Box 47 Stockport "LDI" Box 506 Hampstead
SK5 7BB Ches. UK NC 28443-9110 USA
-44(0)161-442-6222 -01-910-270-2737
Facsimile -443-1486 Fax. -01-910-270-2740

In association with ShockGuard Ltd & Liquid Dynamic's International Ltd

PIPE LINE SURVEY PROTECTION ANALYSIS DIAGNOSTICS SOFTWARE

TITLE

APPLICATION