

PipeHugger LP

Liquid Inside the Bladder DAMPERS For Dual Purpose use:
 FLOW FLUCTUATION Removal, reduces acceleration head, + in place Flushing.
 PRESSURE PULSE DAMPING, by INTERCEPTING piping respose frequencies.

PulseGuard
 Guard Against Pulsation

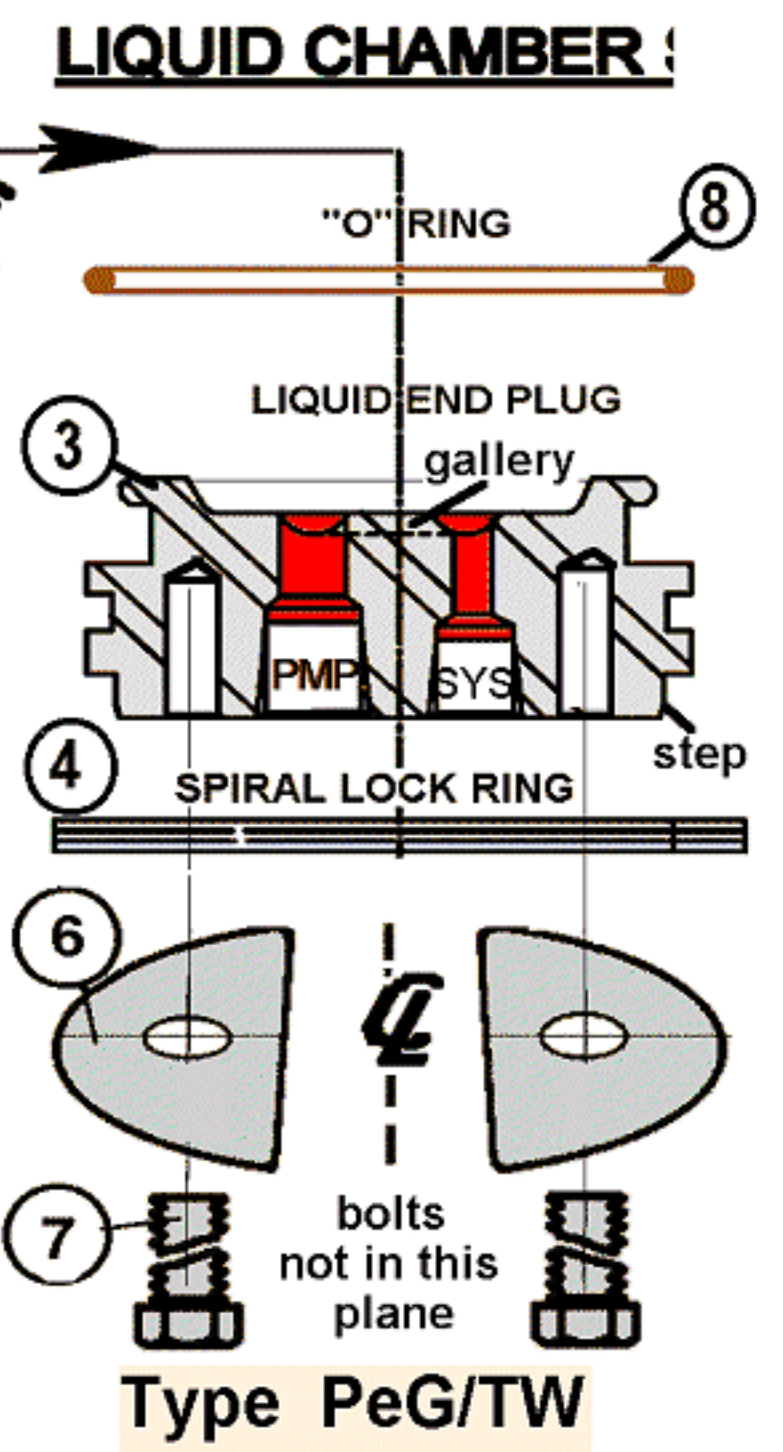
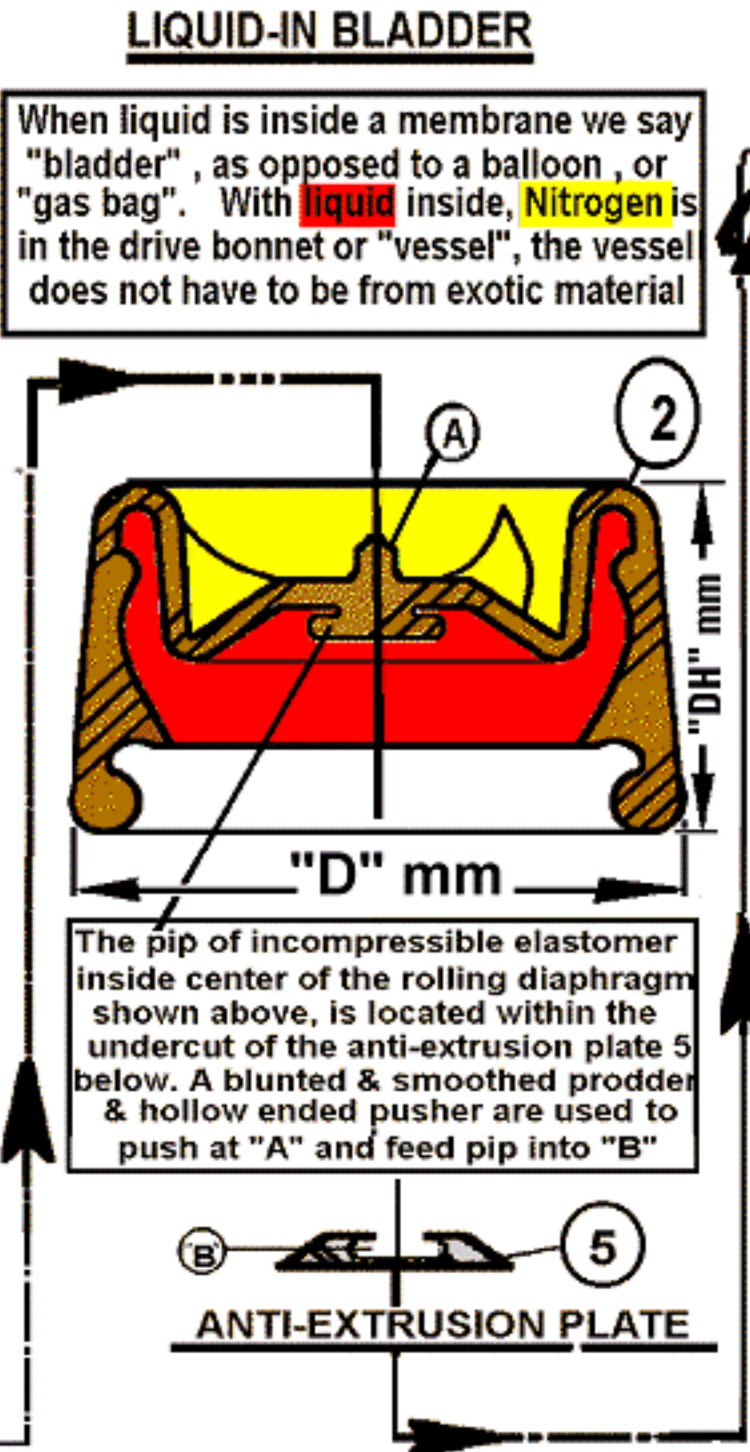
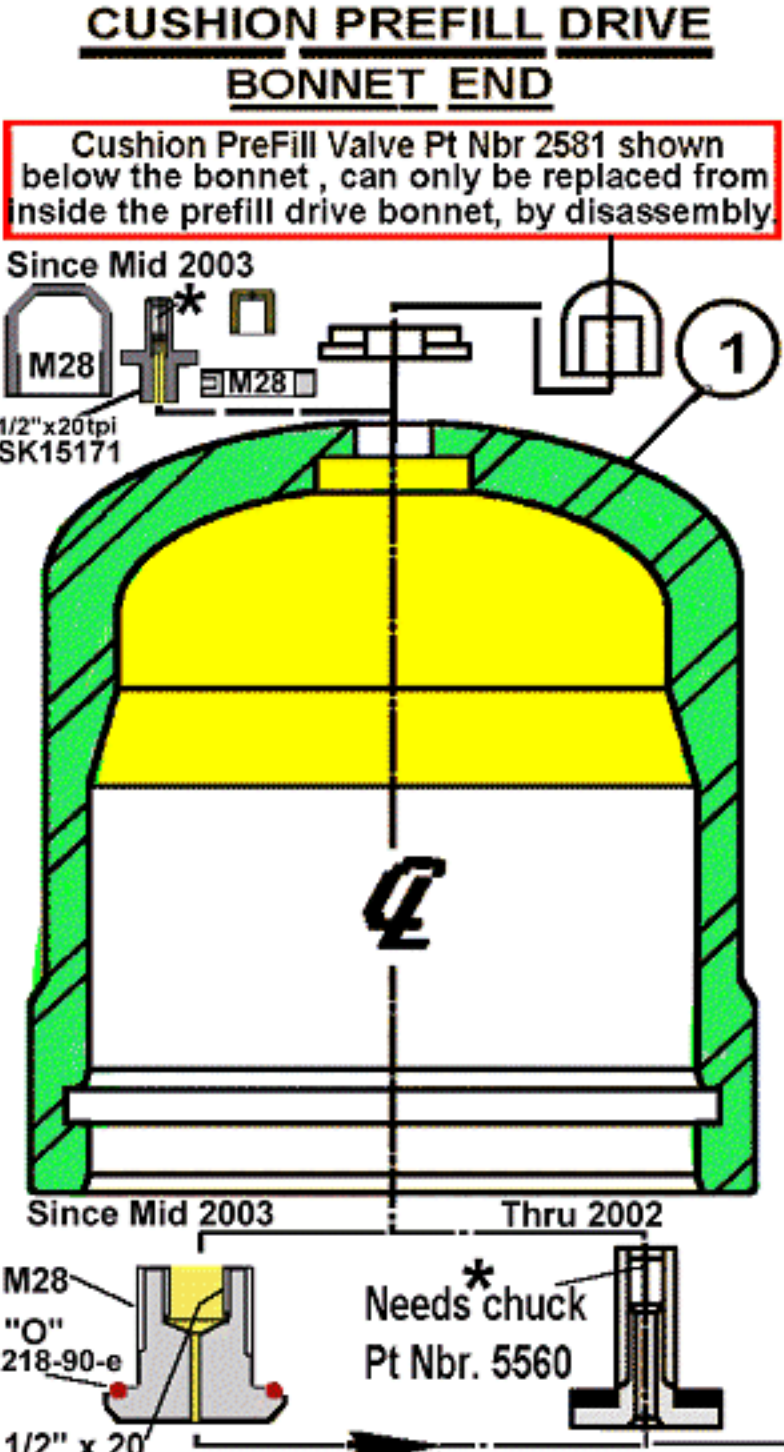
In Place Flushable

Type/Volume/Membrane -Mtl./Pressure/Connections/Metal Mtl.

PART Nbr. & ID

PeG/TW---i (i=in3)/D=diaphragm-y-Lgth -?/---p (p=psi)/to Pmp. - to Sys./SS or A20 etc.
 Metric PeG/TW---Lt =Litres/D=Dphrgm diam-y-Lgth -?/---Br=Bar)/to Pmp.- to Sys./Wetted Pts.

liquid	Nitrogen	Elastomer	Stainless	Steel
--------	----------	-----------	-----------	-------



- 1 Vessel shell, may be manufactured from materials that are cold worked. Therefore it is generally not possible to "code" them.
- 2 Seamless one piece molded/moulded bladder, no bonds or glue
- 3 Through-flow flushable in place, gallery from in to out.
- 4 Spiral lock ring retained by step is tamper-proof construction.
- 5 Same material as 3
- 6 For "minus" pressure and transportation
- 7 Keeper bolts, holes used for extracting 3 and or mounting
- 8 Diametral "O" seal prevents ingress of corrosion.



POLICY ! FOR THE SAME PRICE AS A SPARES KIT



we will supply and fit a spares kit and recertify your damper for you
 This way, you allow us to see as many of our products back as possible, and we learn the improvements that you need.

It is part of our ISO 9001 95-LON-AQ-485 DNV continuous improvement policy.
 As a manufacturer of vessels to all known codes, we believe in regular corrosion inspection and re hydro testing, (F.O.C.).
 NOTE re "Codes" : ASME code (which claims to be non-applicable to dampers "snubbers") @ a massive on cost, Or, for \$125, certified to the relevant catagory for your actual use, for the 500 million EC & world market CE 0040 RSA Cert Nbr SS0210435

To return an item for service, first call to ask for a RGA / RMA (Return Goods/Mtl Authorization) Nbr.
 Item 2, Bladder part numbers are the outside diameter mm at the sealing bead (See "D" above, mm) followed by y "DH" mm
 D= Bladder Diameter say 191mm } Example: D 191 y 95 -? where?=the bag material. N=ButadieneAcryloNitrile, E=EthylenePropyleneTerPolymer
 DH= Bladder Height say 95 mm } V=FluoroCarbonElastomer, B=Butyl, H=ChloroSulphonated Polyethylene "Hypalon", S=Silicone Rubber, Nat=Natural Rub.
 To order spares : SK=Spares Kit Example SK- D450 y 120 -E includes the Bladder and the necessary seals also.

Dampers That Do - Flow goes Through - Pressure pulses do not.

PulseGuard® In USA please call toll free 1-888 (326-7377) DAMPERS or Fax toll free 1-888-TALK-DLR (8255-357)
 In Europe UK Freephone 1-08080-LO-PRICE -or- Faxfree 0800-174-088

In Assoc. With LIQUID DYNAMICS INTERNATIONAL Inc. & Ltd.

