

SHOCK and PULSATION DAMPING in the Liquid FOODs, DRUGs and BEVERAGE Industries.

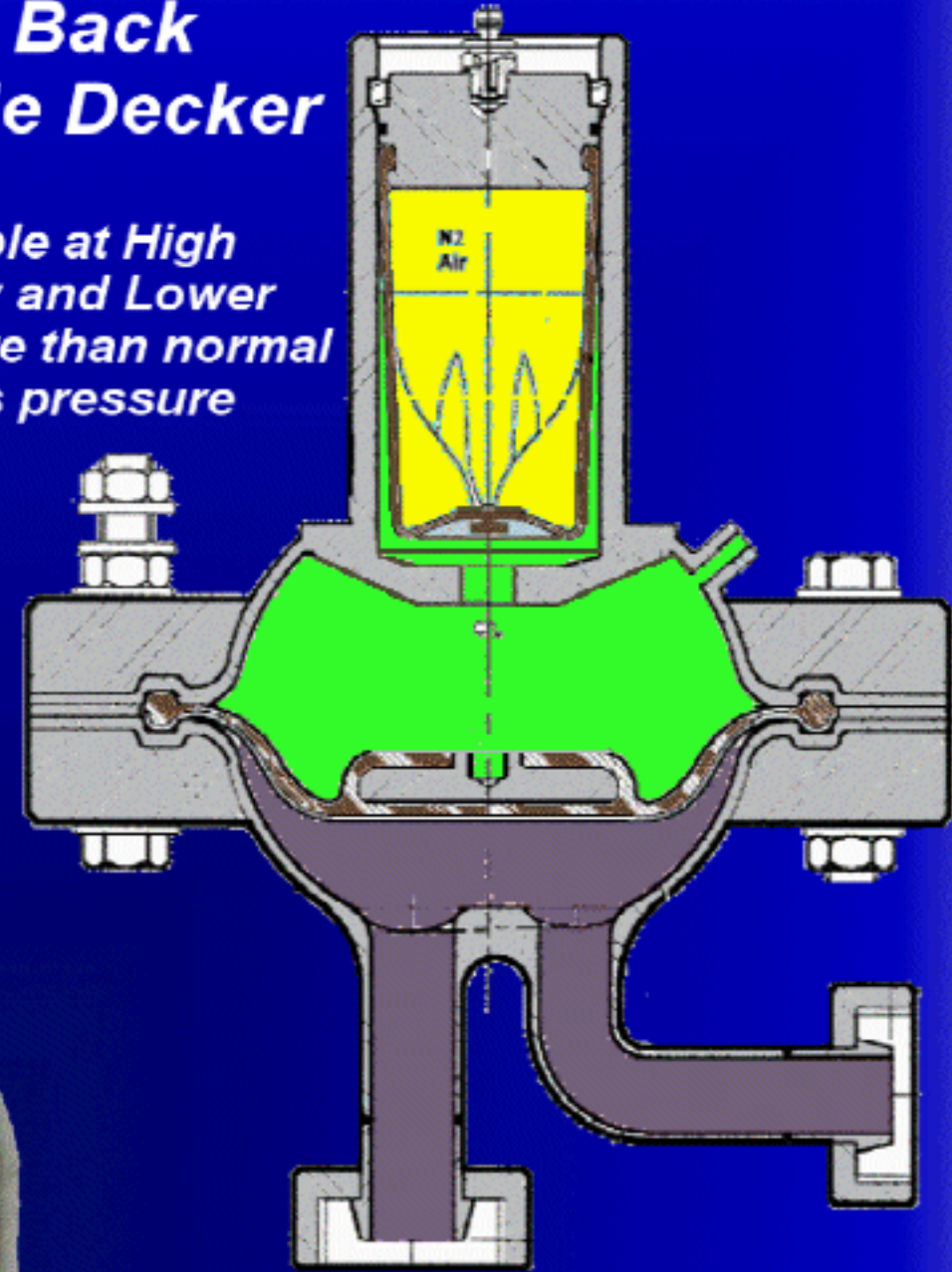
PG-150.bmp



With
Heating
Jacket

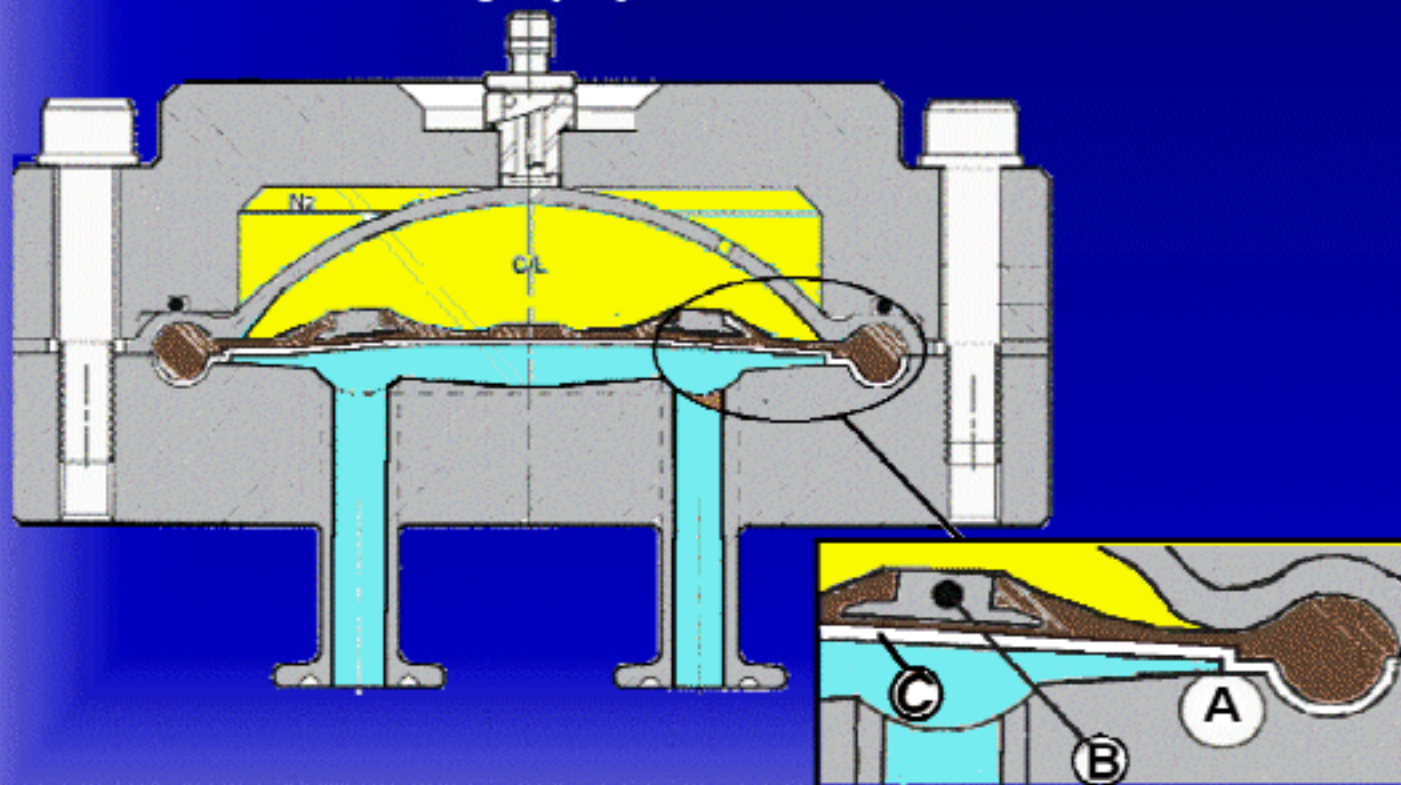
Piggy Back Double Decker

C.I.P. able at High
Velocity and Lower
Pressure than normal
process pressure



Liquid in Bladder

For High Pressure Liquid
Chromatography Bio-Cultures



A 90° Shut-Off against microbic ingress.
B Encapsulated Anti-Extrusion plate..
C Flexflon PTFE diaphragm face.

with **FLEXFLOW**
& Multi-Ported



PulseGuard Ltd. & Inc.
For Easy Flush In Place, flow through dampers

The **"EZ-FIP"** range
Under license from M. Packer since 1963