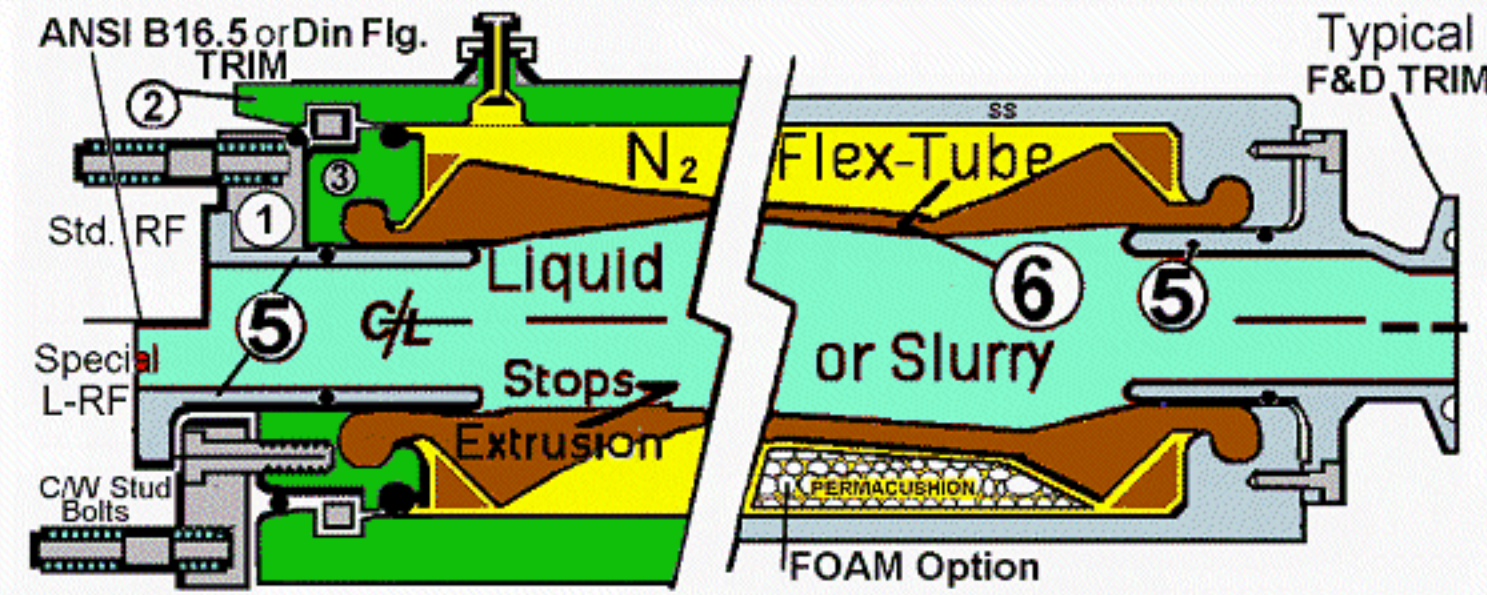
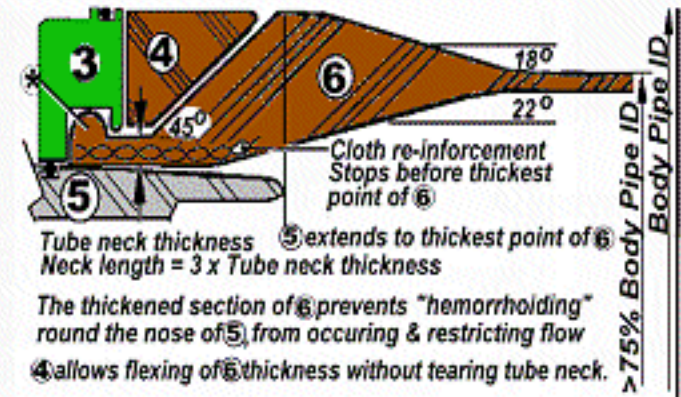


SERVICE, DISASSEMBLY AND RE-ASSEMBLY **PulseGuard®**

PUMP GUARD Damper Type / Volume / Design Pressure / Membrane type & Diams. Lngth. mm - Material / connection / Wetted Metal
 Part Number and identification: **PuG/** ... i = in3 / ... p = psi / T Seal @ Mouth @ Anti Extrusion @ Tube Ctr @ OAL N, E, H, or V. | 12" 300# | 316ss, A20, HC276, etc
 ... Lt = Liters ... Br = Bar Ex Eg: T 342 x 318 x 500 x 390 x 1810 - E please see below

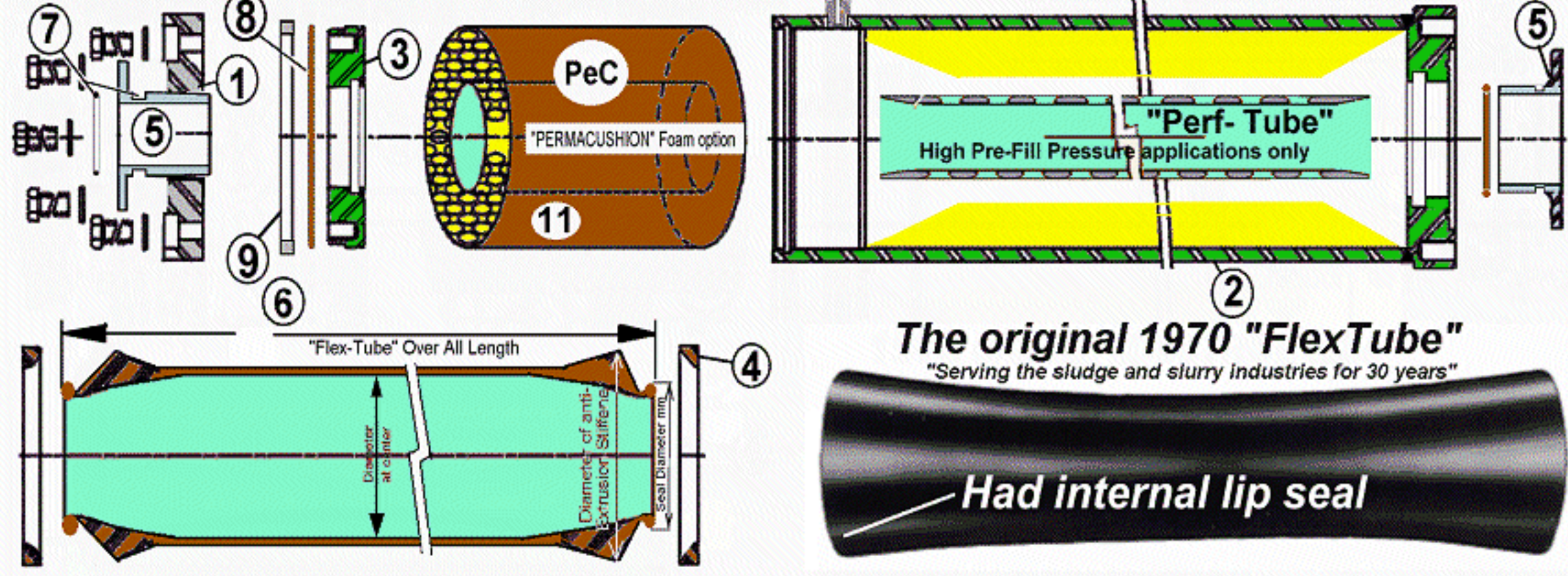


- SA 240 DUAL CERTIFIED 316-316L, not titanium mpt-112 STAINLESS or A20, HC276 etc
- LIQUIDS SLUDGE etc. CLEAN LIQUIDS
- COMPRESSIBLE CUSHION VOLUME, FOR FLOW FLUCTUATION OXYGEN FREE, DRY NITROGEN - O.F.N.
- SA 516 Gr 70 SA 106 Gr B SA 36
- High Temp Ethylene Propylene Ter-Polymer ELASTOMER



- 1, Flange stud bolting plate.
- 2, Body Shell / Mlt -
- 3, End Closure
- 4, Corner Filling Ring
- 5, Flange face & seal compression tube.
- 6, Flex-Tube with anti extrusion ends "FLEX-TUBE" Pt Nbr. is: Seal bead OD mm Intl. Diam. @ mouth Anti-Extrusion Lump Diam. Diam in Cntr. of tube Overall length
 Example T122-100-139-1050-? ? = membrane Mtl Ref. N= Butadiene AcryloNitrile E=EthylenePropyleneTerPol V=FluoroCarbonElast.
 TO ORDER SPARES: SK=Spares Kit (incl seals) Example: SK T122-100-139-1050-N
- 7, Corrosion ingress prevention seal
- 8, Diametral N2 Seal
- 9, Retaining / Snap Ring

For Suction & Slurry Systems



PulseGuard® wishes to review its products; we will install a spares kit, test, & recertify your damper, for the same cost as a spares kit.

STRUT VALVE OPENED & CLOSED WITH 3/4" WRENCH.



0.75" AF Hex swivel nut, use standard wrench
 Change to Strut valve for 49.99 can save 550+ and a life.
 On the other hand these 3 valves all have pin cores in them.

Wrench from YOUR tools 3/4" 20mm Across Flats "AF" wrench not sold by PulseGuard®
 There is NOT one of these core pins in a strut valve. No special tools, or pin depressor is needed.



Not only are the pin type valves dangerous, but also you have to spend 500 on a regulator and 250 on a pre-fill tool, to use them.

WAVEGUARD/HP Damper Type / Wave dispersal ball material / Equivalent to N₂ Compressibility in³ / Design Pressure / Connections / Wetted Metal
 Part Number and identification: **WaG-HP/Cer.** = Ceramic / ... e' / ... Br = Bar | Ex/EG 8" 900# x 6" 900# | 316ss, A20, HC276, etc

For Frequencies above 100 Hz. in clean liquid systems.

