

Part Number Series :-

This is a typical level 3 detail drawing, These are a minimum extra charge \$1,000

FLO/O

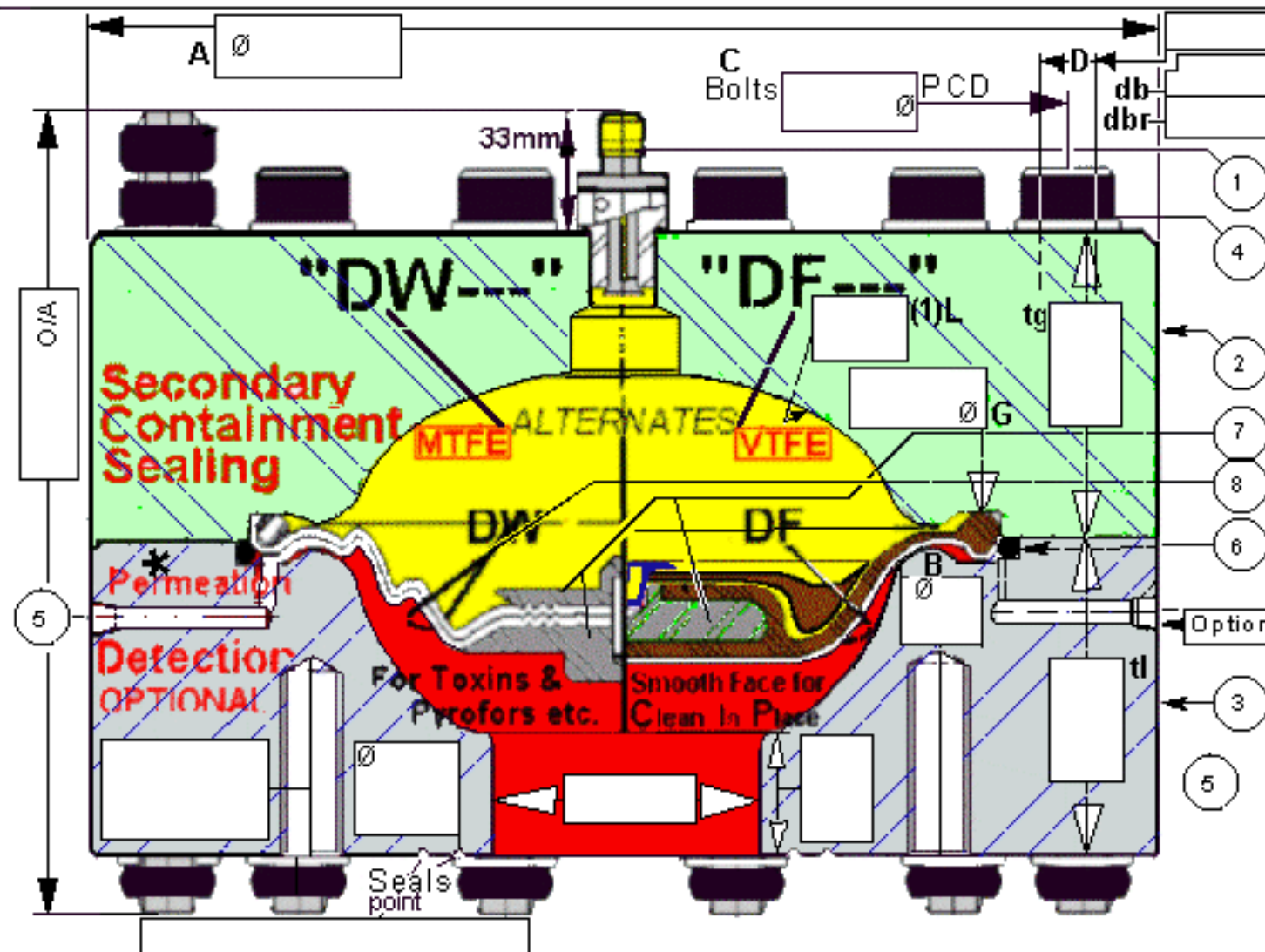
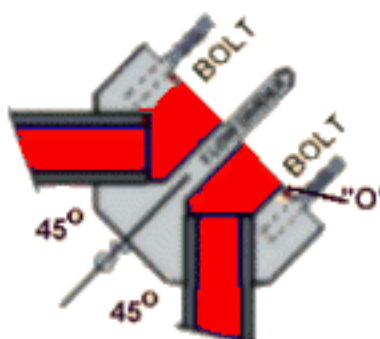
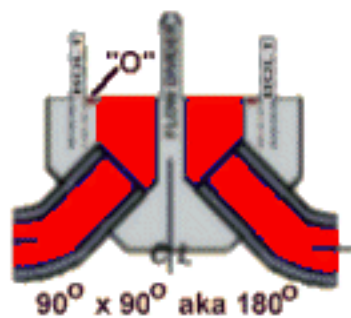
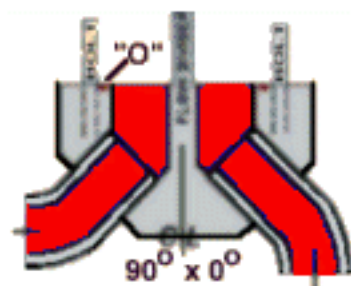
FLEXORBER



License - 1963

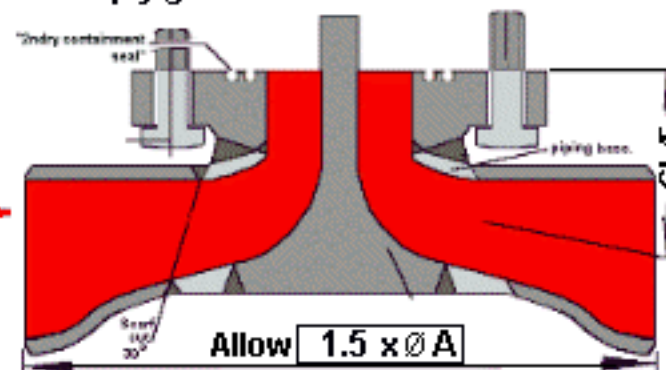
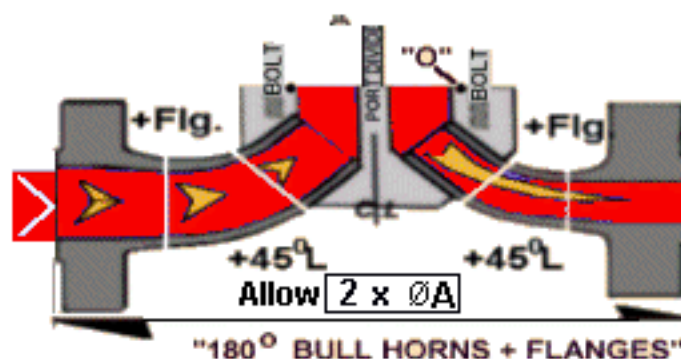
Dual Use: Pressure Pulse Interceptor + Flow fluctuation reducer
With LDi "FlexFlon" or DuPont TEFLON diaphragm. For higher pressures.
Optional 2 layer diaphragm with premeation detection from between.
Secondary containment sealing, and Quick release from piping block base

Standard pipe block bases that reduce your installation costs & minimise down time.



We will add fittings - it normally costs far less to shop jig build than to field fabricate.

2:1 SE head in a Flange for start-up flush and system pipe Hydro-Tst.



Item	Part No.	Description	Material	I.D. #	CUSTOMER:
1	9019C	N2 Prefill			CUSTOMER REF.:
2		Head - N2 P/C			QUANTITY:
3		Liquid Chamber			W/O No.:
4		Skt. Bolts/M'tg.Nuts			WEIGHT (EST.):
5		Leak Detect. Port			W:
6		Seals-Secondary Containment			ISSUED BY:
7		Anti-Extr. Button Assy.			CHECKED BY:
8		Double Diaphragm			(DAY/MONTH/YEAR)
					ISSUE DATE:

PULSE GUARD Ltd. & Inc.
 Guard Against Pulsation Licensed M. Packer 1963
 ISO 9001 - 95-LON-AQ-459 Vessel Cert. 29289
 www.pulseguard.co.uk www.pulseguard.com
 PO Box 47 Stockport LD1 Box 506 Hampstead
 SK5 7BB Ches. UK NC 28443-9110 USA
 --44(0)161-442-6222 --01-910-270-2737
 Facsimile -443-1486 Fax. -01-910-270-2740
 In association with Shockwave Ltd & Liquid Dynamics International Ltd
 PIPING SURVIVAL ANALYSIS DIAGNOSTICS SOFTWARE

TITLE: **TEFLON (DuPont) HP PULSE DAMPER**
 For Mounting on Permanently installed
FLOW THROUGH Piping Base Options
 APPLICATION: * **HAZARDOUS LIQUIDS**
 Intercept Instrument destabilising high frequency;
 Prevent resonance; Stop acoustic waves; Address
 acceleration head forms of PULSATION; all with
 Flush-in-Place & Constant Temperature Features.

FILE REF:	FLwv4Y&1.gif
SCALE: NTS	ALL DIMENSIONS ARE IN MM EXCEPT AS STATED.
VIEW NO.	"U" FLO-O/
SHEET: 1 OF 1	REV. 0